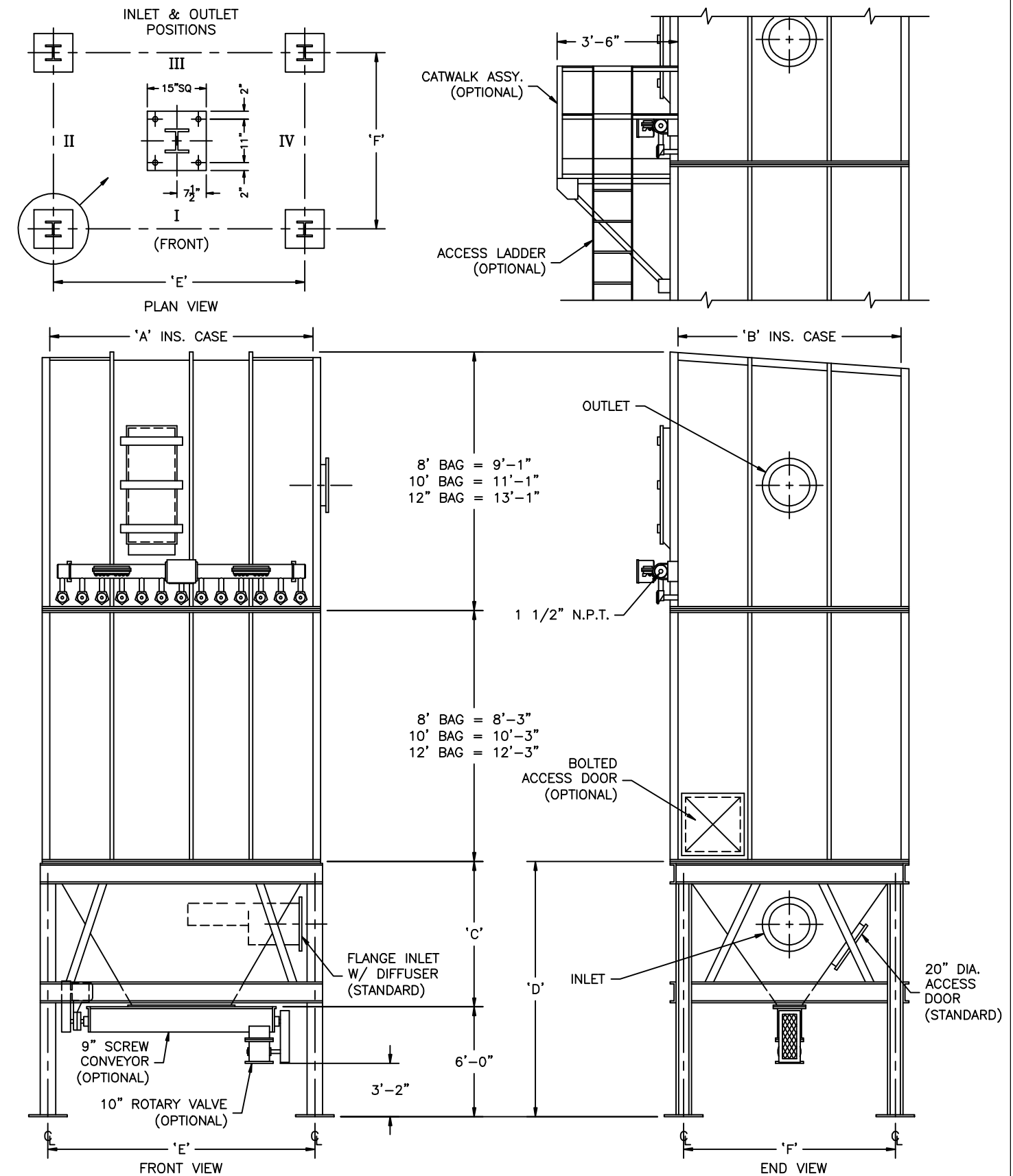
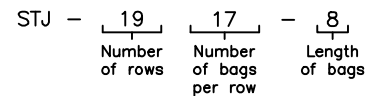


Sly TubeJet Model STJ (TOP BAG REMOVAL)

Model No.	Bag Length (ft)	Cloth Area (sq. ft.)	Bag Quantity	Air Usage (SCFM @ 90 psig)*	A	B	C	D	E	F
STJ-1717-	8 10 12	3480 4350 5221	289	24	11'-4"	11'-4"	9'-3"	13'-3"	11'-3 13/16"	10'-10 1/16"
STJ-1917-	8 10 12	3890 4862 5838	323	24	12'-8"	11'-4"	9'-3"	13'-3"	12'-7 13/16"	10'-10 1/16"
STJ-2117-	8 10 12	4299 5374 6449	357	24	14'-0"	11'-4"	9'-3"	13'-3"	13'-11 13/16"	10'-10 1/16"
STJ-2317-	8 10 12	4709 5886 7063	391	25	15'-4"	11'-4"	9'-3"	13'-3"	15'-3 13/16"	10'-10 1/16"
STJ-2517-	8 10 12	5118 6398 7677	425	25	16'-8"	11'-4"	9'-3"	13'-3"	16'-7 13/16"	10'-10 1/16"
STJ-2717-	8 10 12	5528 6910 8291	459	32	18'-0"	11'-4"	9'-3"	13'-3"	17'-11 13/16"	10'-10 1/16"
STJ-2917-	8 10 12	5937 7421 8906	493	24	19'-4"	11'-4"	9'-3"	13'-3"	19'-3 13/16"	10'-10 1/16"
STJ-3117-	8 10 12	6347 7933 9520	527	24	20'-8"	11'-4"	9'-3"	13'-3"	20'-7 13/16"	10'-10 1/16"
STJ-3317-	8 10 12	6756 8445 10134	561	25	22'-0"	11'-4"	9'-3"	13'-3"	21'-11 13/16"	10'-10 1/16"
STJ-3517-	8 10 12	7165 8957 10748	595	26	23'-4"	11'-4"	9'-3"	13'-3"	23'-3 13/16"	10'-10 1/16"
STJ-3717-	8 10 12	7575 9469 11362	629	28	24'-8"	11'-4"	9'-3"	13'-3"	24'-7 13/16"	10'-10 1/16"
STJ-3917-	8 10 12	7984 9980 11977	663	30	26'-0"	11'-4"	9'-3"	13'-3"	25'-11 13/16"	10'-10 1/16"
STJ-4117-	8 10 12	8394 10492 12591	697	32	27'-4"	11'-4"	9'-3"	13'-3"	27'-3 13/16"	10'-10 1/16"
STJ-4317-	8 10 12	8803 11004 13205	731	33	28'-8"	11'-4"	9'-3"	13'-3"	28'-7 13/16"	10'-10 1/16"
STJ-4517-	8 10 12	9213 11516 13819	765	34	30'-0"	11'-4"	9'-3"	13'-3"	29'-11 13/16"	10'-10 1/16"
STJ-4717-	8 10 12	9622 12028 14433	799	36	31'-4"	11'-4"	9'-3"	13'-3"	31'-3 13/16"	10'-10 1/16"
STJ-4917-	8 10 12	10032 12540 15047	833	37	32'-8"	11'-4"	9'-3"	13'-3"	32'-7 13/16"	10'-10 1/16"
STJ-5117-	8 10 12	10441 13051 15662	867	39	34'-0"	11'-4"	9'-3"	13'-3"	33'-11 13/16"	10'-10 1/16"
STJ-5317-	8 10 12	10851 13563 16276	901	40	35'-4"	11'-4"	9'-3"	13'-3"	35'-3 13/16"	10'-10 1/16"
STJ-5517-	8 10 12	11260 14075 16890	935	41	36'-8"	11'-4"	9'-3"	13'-3"	36'-7 13/16"	10'-10 1/16"



How to Determine Your Model Number * Guideline based on 10 second off time between pulses and 100 millisecond pulse duration ~ may change based on application



NOT FOR CONSTRUCTION

MODEL NO. _____
 VOLUME _____ CFM
 TEMPERATURE _____ °F
 DUST _____
 LOADING _____ GR/CF
 CLOTH AREA _____ SQ.FT.
 NO. OF BAGS _____
 A/C RATIO _____ :1
 PROCESS _____

- NOTES:
- Inlet size based on 3000 fpm maximum velocity.
 - Standard exhaust connection either right or left of header.
 - Six (6) leg support for model 3117 and all units larger. Center leg at collector centerline.
 - Magnehelic gauge w/ bracket, tubing & fittings.
 - Unless otherwise specified, timers shipped assembled & pre-wired to solenoid enclosure.
 - Drawing dimensions are subject to change without prior notice.

SLY INC.
 TECHNOLOGY FOR A CLEAN ENVIROMENT
 8300 Dow Circle, Suite 600
 Strongsville, OH 44136
 1-800-334-2957
 In Ohio (440) 891-3200
 FAX: (440) 891-3210

STJ-503-4 (B)