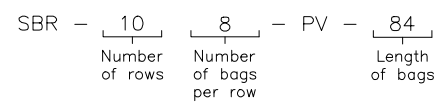


Sly TubeJet Model SBR-PV (Bin Vent)

(SIDE / BOTTOM BAG REMOVAL)

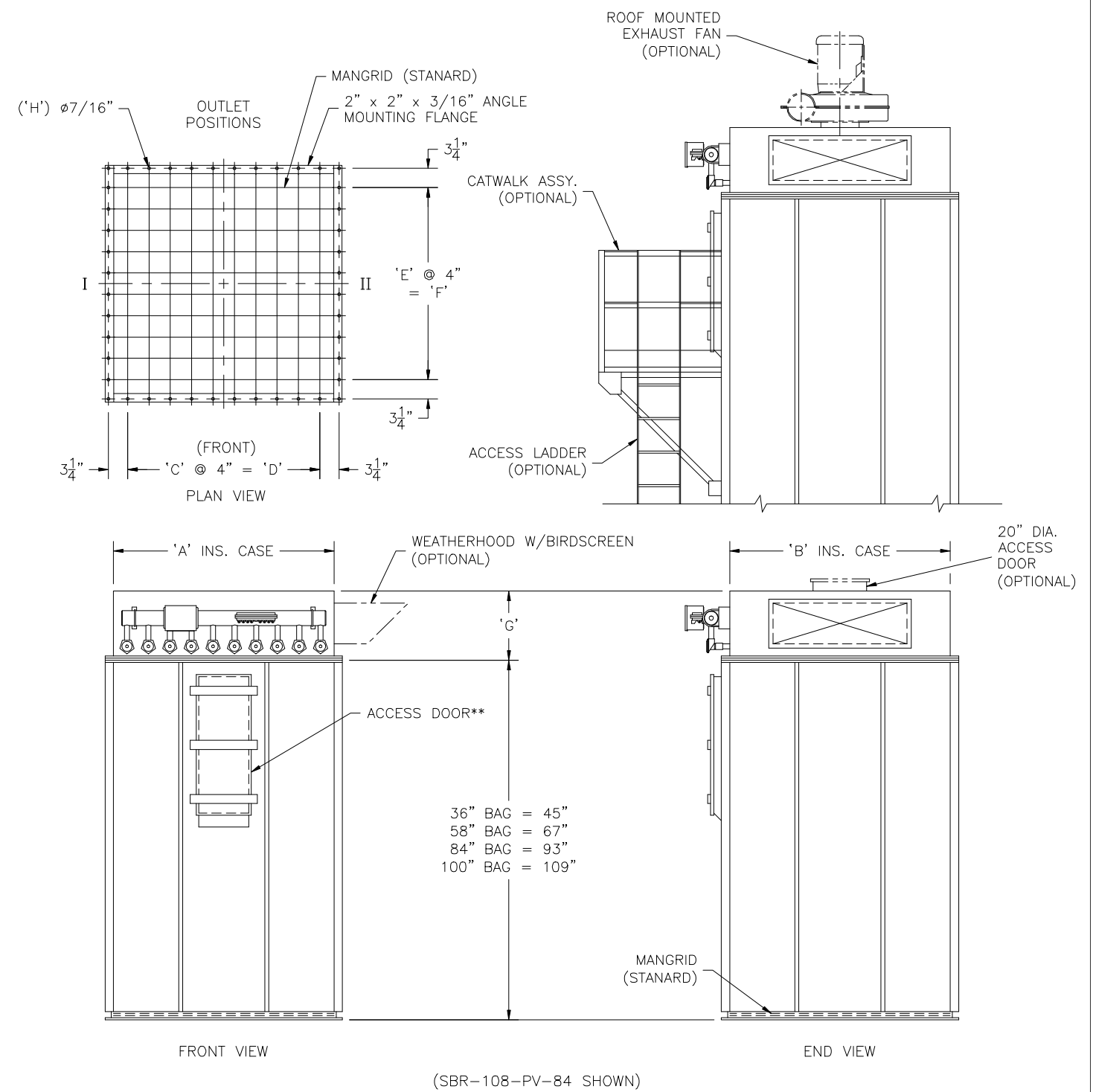
Model No.	Bag Length (in)	Cloth Area (SQ. ft.)	Bag Quantity	Air Usage (SCFM @ 90 psig)*	Outlet Size	A	B	C	D	E	F	G	H
SBR-22-PV-	36 58	18 30	4	6	6" x 6"	1'-4"	1'-4"	3	1'-0"	3	1'-0"	1'-0"	20
SBR-33-PV-	36 58 84	41 68 95	9	6	6" x 6"	2'-0"	2'-0"	5	1'-8"	5	1'-8"	1'-0"	28
SBR-34-PV-	36 58 84	54 90 126	12	6	6" x 8"	2'-0"	2'-8"	5	1'-8"	7	2'-4"	1'-0"	32
SBR-44-PV-	36 58 84	72 120 168	16	6	7" x 8"	2'-8"	2'-8"	7	2'-4"	7	2'-4"	1'-0"	36
SBR-45-PV-	36 58 84	90 150 210	20	6	8" x 8"	2'-8"	3'-4"	7	2'-4"	9	3'-0"	1'-0"	40
SBR-55-PV-	58 84	188 263	25	6	9" x 10"	3'-4"	3'-4"	9	3'-0"	9	3'-0"	1'-0"	44
SBR-56-PV-	58 84	225 315	30	11	9" x 12"	3'-4"	4'-0"	9	3'-0"	11	3'-8"	1'-0"	48
SBR-66-PV-	58 84	270 378	36	11	8" x 24"	4'-0"	4'-0"	11	3'-8"	11	3'-8"	1'-0"	52
SBR-68-PV-	58 84	360 504	48	11	8" x 30"	4'-0"	5'-4"	11	3'-8"	15	5'-0"	1'-0"	60
SBR-78-PV-	58 84	420 588	56	11	8" x 30"	4'-8"	5'-4"	13	4'-4"	15	5'-0"	1'-0"	64
SBR-88-PV-	58 84	480 672	64	11	12" x 24"	5'-4"	5'-4"	15	5'-0"	15	5'-0"	1'-6"	68
SBR-98-PV-	84 100	756 864	72	11	12" x 30"	6'-0"	5'-4"	17	5'-8"	15	5'-0"	1'-6"	72
SBR-108-PV-	84 100	840 960	80	11	12" x 30"	6'-8"	5'-4"	19	6'-4"	15	5'-0"	1'-6"	76
SBR-118-PV-	84 100	924 1056	88	12	18" x 30"	5'-7"	7'-4"	21	7'-0"	15	5'-0"	2'-0"	80
SBR-128-PV-	84 100	1008 1152	96	13	18" x 30"	8'-0"	5'-4"	23	7'-8"	15	5'-0"	2'-0"	84

How to Determine Your Model Number



* Guideline based on 10 second off time between pulses and 100 millisecond pulse duration ~ may change based on application

** Access Door
 18" x 24" for 36" Long Bags
 18" x 36" for 58" & 84" Long Bags
 18" x 48" for 100" Long Bags
 SBR-22 door is 12" wide



NOT FOR CONSTRUCTION

MODEL NO. _____
 VOLUME _____ CFM
 TEMPERATURE _____ °F
 DUST _____
 LOADING _____ GR/CF
 CLOTH AREA _____ SQ.FT.
 NO. OF BAGS _____
 A/C RATIO _____ :1
 PROCESS _____

NOTES:
 - Magnehelic gauge w/ bracket, tubing & fittings.
 - Unless otherwise specified, timers shipped assembled & pre-wired to solenoid enclosure.
 - Drawing dimensions are subject to change without prior notice.

SLY INC.
 TECHNOLOGY FOR A CLEAN ENVIRONMENT
 8300 Dow Circle
 Strongsville, OH 44136
 1-800-334-2957
 In Ohio (440) 891-3200
 FAX: (440) 891-3210

SBR-601-PV (B)