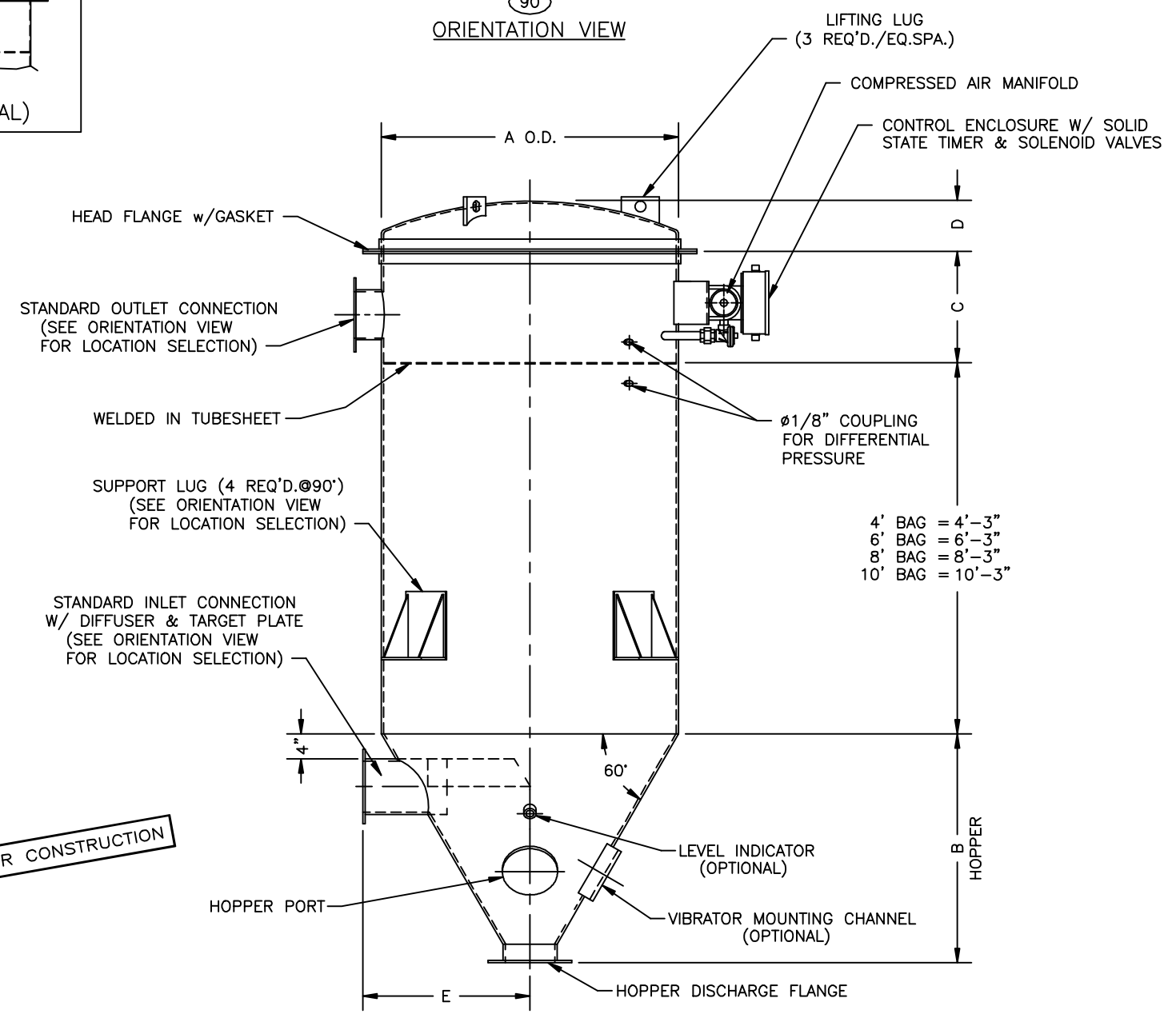
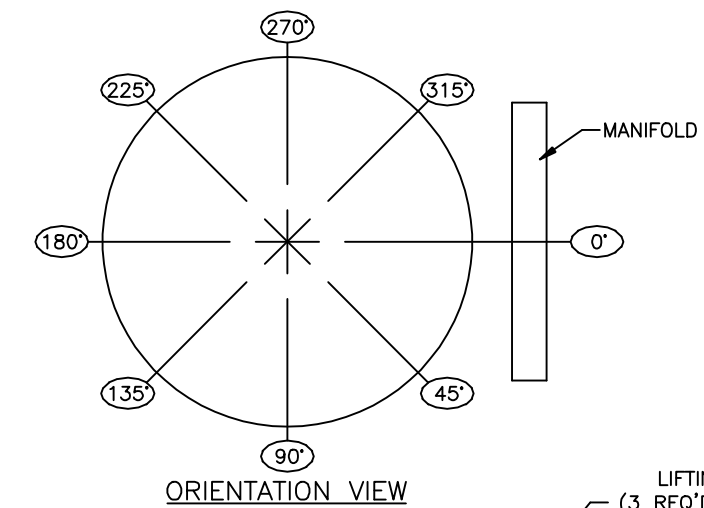
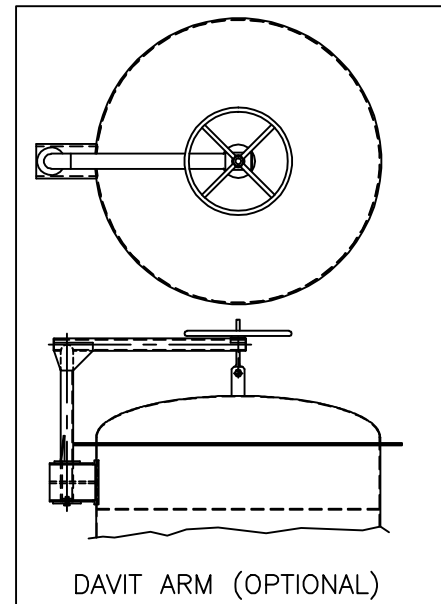


TubeJet® Model CTR Series

Model No.	Bag Length	Cloth Area	Bag Quantity	Air* Usage SCFM at 90 PSIG	A	B**	C	D	E
CTR-15-	4	18 ft ²	3	9.6	1'-6"	10 1/2"	10 1/2"	7"	12"
CTR-25-	4	48 ft ²	8	9.6	2'-6"	21"	13"	8"	18"
CTR-30-	4	78 ft ²	13	9.6	3'-0"	26"	14"	9"	21"
CTR-35-	4	114 ft ²	19	9.6	3'-6"	31"	16"	10"	24"
CTR-40-	4	150 ft ²	22	9.6	4'-0"	36 1/2"	18"	11"	30"
CTR-45-	4	186 ft ²	31	9.6	4'-6"	41 1/2"	20"	12"	33"
CTR-50-	4	222 ft ²	37	9.6	5'-0"	47"	20"	13"	36"
CTR-55-	4	258 ft ²	46	9.6	5'-6"	52"	22"	14"	39"
CTR-60-	4	294 ft ²	59	9.6	6'-0"	57"	24"	14"	42"
CTR-65-	4	330 ft ²	70	9.6	6'-6"	62 1/2"	26"	15"	45"
CTR-70-	4	366 ft ²	85	12.6	7'-0"	67 1/2"	26"	16"	48"
CTR-75-	4	402 ft ²	92	12.6	7'-6"	73"	28"	17"	51"
CTR-80-	4	438 ft ²	109	16	8'-0"	78"	28"	18"	54"
CTR-85-	4	474 ft ²	126	16	8'-6"	83"	32"	18"	57"
CTR-90-	4	510 ft ²	143	21.6	9'-0"	88 1/2"	32"	19"	60"
CTR-95-	4	546 ft ²	159	21.6	9'-6"	93 1/2"	36"	21"	63"
CTR-100-	4	582 ft ²	178	26.6	10'-0"	99"	36"	21"	66"
CTR-105-	4	618 ft ²	199	26.6	10'-6"	104"	38"	22"	69"
CTR-110-	4	654 ft ²	210	32	11'-0"	109"	38"	23"	72"
CTR-115-	4	690 ft ²	241	32	11'-6"	114 1/2"	40"	24"	75"
CTR-120-	4	726 ft ²	258	40	12'-0"	119 1/2"	40"	25"	78"



How to Determine Your Model Number

CTR - 40 - 22 - 6
Diameter of unit Number of bags Length of bags

* Based on 10 second off time between pulses
 ** Based on Ø8" hopper discharge

ORIENTATION OPTIONS

STANDARD OUTLET & OPTIONAL DAVIT CAN HAVE ANGULAR LOCATIONS CLOCKWISE BETWEEN 90° and 270° IN 45° INCREMENTS

STANDARD OUTLET LOCATION * REQ'D.
 OPTIONAL DAVIT LOCATION

THESE OPTIONS CAN HAVE ANGULAR LOCATIONS CLOCKWISE BETWEEN 0° and 360° IN 45° INCREMENTS

INLET LOCATION * REQ'D.
 ACCESS PORT LOCATION * OPTION
 LEVEL INDICATOR LOCATION * REQ'D. if NEEDED
 VIBRATOR LOCATION * REQ'D. if NEEDED

NOTE: DO NOT LOCATE MORE THAN ONE COMPONENT AT EACH POSITION ON THE HOPPER OR CAS.

SUPPORT LUG OPTIONS ARE:

STANDARD SUPPORT LUG LOCATIONS 45° 135° 225° 315°

OPTIONAL SUPPORT LUG LOCATIONS 0° 90° 180° 270°

SUPPORT LUG LOCATIONS REQ'D.

CAUTION: INLET LOCATION CAN NOT COINCIDE WITH SUPPORT LUG LOCATION WHEN SUPPORT LEGS ARE TO BE USED.

OTHER OPTIONS

OUTLET SIZE

INLET SIZE

ELECTRICALS NEMA 4 NEMA 4X NEMA 7/9

NOTE: OUTLET SIZE SHOULD NOT BE SMALLER THAN INLET SIZE.

HOPPER DISCHARGE OPENING SIZE:

8" DIA.(STD*SHOWN) 10" DIA.(OPTIONAL) 12" DIA.(OPTIONAL)

NOT FOR CONSTRUCTION

MODEL NO. _____
 VOLUME _____ CFM
 TEMPERATURE _____ °F
 DUST _____
 LOADING _____ GR/CF
 CLOTH AREA _____ SQ.FT.
 NO. OF BAGS _____
 A/C RATIO _____ :1
 PROCESS _____

NOTES:
 - Inlet size based on 3000 fpm maximum velocity.
 - Drawing dimensions are subject to change without prior notice.

UPDATED: 11/18/04



TECHNOLOGY FOR A CLEAN ENVIRONMENT
 8300 Dow Circle
 Strongsville, OH 44136
 1-800-334-2957

CTR-700-1