

Modular Shaker Dust Collectors

Pactecon® Model S

The Pactecon Model S is an economical design engineered specifically for applications where it is practical to shutdown the process periodically for filter cleaning. A shaking device effectively breaks the dust cake and cleans the bags. Filters are shipped with a hand operated shaking device or optional motorized shaker. Solid state timers for control of the shake cycle are available as options. Using either method, it is recommended that the entire filter bank be shaken for 1 or 2 minutes at 4 to 8 hour intervals.

Units contain 1 to 12 sections with four bags per section. The standard polyester bag filters gas streams up to 275°F.

Unique Envelope-Type Bags Mean More Filter Cloth in Less Space

Why use rectangular bags? Sly's rectangular envelope bags pack more filter cloth per cubic foot into the smallest space. The smaller the collector, the less floor space is taken up and the less expensive the collector.

Seven Ways Pactecon Delivers Economical, Trouble-free Air Pollution Control

Maximum Efficiencies:

From cement to carbon black, we have the filter media to meet EPA emission standards.

Low Maintenance: A minimum number of moving parts means long, trouble-free service.

Easy Accessibility: All inspections, adjustments or repairs, including bag changes, are made from outside the filter case.

Low Cost: Pactecon sells for less per CFM than other comparable dust filters.

Compactness: Sly envelope bag filters have always been the most compact in the industry. The Pactecon requires less cubic feet of space per unit capacity than our already compact line.

Shop Assembly: Pactecon filters leave our plant assembled, with bags and shaking device installed. You only have to mount the Pactecon on our supports or your base, and bolt on hoppers. Fans are shipped installed when size permits. Your installation time and costs are reduced by 1/3.



Experience: There is over 120 years of experience in every Sly dust collector that you purchase.

Highlights

- For non-continuous use
- Low initial cost, low operating cost
- Compact
- Maximum efficiencies
- Up to 4,000 CFM, temperatures to 275°F

Modular Shaker Dust Collectors

Pactecon Model S Specifications

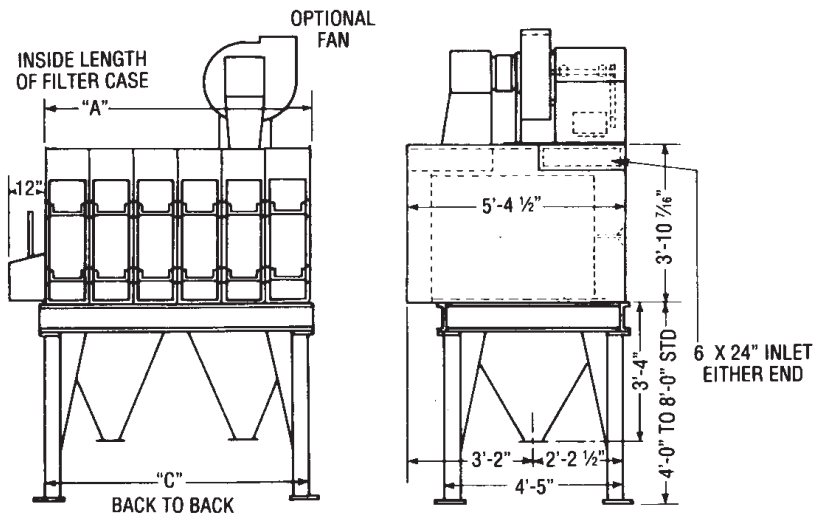
CFM @ 3.1 ratio*	Shaker Filter Number	Inside Lgth. of Filter Case Dimension "A"	No. of Hoppers	No. of Bags	Cloth Area Sq. Ft.	Weight of Filter	Back-To-Back of Columns Dimension "C"
264	S-1	1' 1-1/8"	Drawer	4	88	500	—
528	S-2	2' 2-1/4"		8	176	1350	2' 3-1/4"
792	S-3	3' 3-3/8"	1	12	264	1610	3' 4-3/8"
1056	S-4	4' 4-1/2"		16	352	1840	4' 5-1/2"
1320	S-5	5' 5-3/8"	2	20	440	2240	5' 6-5/8"
1584	S-6	6' 6-3/4"		24	528	2510	6' 7-3/4"
1848	S-7	7' 7-7/8"	3	28	616	2820	7' 8-7/8"
2112	S-8	8' 9"		32	704	3350	8' 10"
2376	S-9	9' 10-1/8"	3	36	792	3630	9' 11-1/8"
2640	S-10	10' 11-1/4"		40	880	3980	11' 0-1/4"
2904	S-11	12' 0-3/8"	3	44	968	4370	12' 1-3/8"
3169	S-12	13' 1-1/2"		48	1056	4640	13' 2-1/2"

Standard Equipment

- 14 ga. carbon steel filter case with 6" x 24" dust inlet on either side and clean air outlet on top
- Heavy channel frame and structural support to 96" high (casters on Model S-1)
- 60° hoppers of 14 gauge steel with 8" hand-operated valves (drawer on Model S-1; drawer optional on S-2).
- Gasketed quick-release doors in front and back
- Two coats of paint—the second, after final assembly
- Polyester felt bags with plastic spacers
- Easy-operating hand shaking device
- Shop assembly, including bags and shaking device

Optional Equipment and Features

- Exhaust fans - roof mounted
- Fan pipes with blast gates
- Rotary valves
- Special structural supports
- Walkway with ladder
- Special filter fabrics
- Shaker motor with cover
- Timers for semi-automatic operation
- Explosion and fire protection
- Stainless steel construction
- Special coatings
- NEMA 7/9



Principal Dimensions



P.O. Box 5939
 Cleveland, OH 44101
 Telephone: (440) 891-3200
 Fax: (440) 891-3210
 (800) 334-2957
 www.slyinc.com
 E-mail: info@slyinc.com

EB300
 ©1994 Sly Inc.
 Printed in U.S.A.
 Pactecon is a registered
 trademark of Sly Inc.
 8942M